

Metrix Racking Product Specification



Key Features

10 year guarantee

Designed and manufactured to meet the highest British and international standards
Full range of Triumph colours available
Gangable and can also be fixed to wall
Quick and easy to assemble
Fully welded carcass and cruciform base for maximum strength and stability

Optional Extras

Range of accessories

Specification

2180h x 900w x 450d

Texture paint finish, scratch resistant and environmentally friendly

Finishes

Full range steel storage colours

			
BL5	GP1	CR1	GY5
			
RD1	OR3	YW1	GN4
			
FT1	OT3	OX1	PT2
			
SG1	SG2	SG8	CW1
			
CO1	BU3	AQ2	PI1
			
FU1	WM1	MT1	

triumph

corporate furniture and storage

Metrix Racking



T/RACK/T1
h2180 x w900 x d450



T/RACK/I1
h2180 x w900 x d450



T/RACK/T2
h2180 x w900 x d450



T/RACK/I2
h2180 x w900 x d450

Metrix Racking Accessories



RCS9
Standard Shelf



RCSFS9
Slotted filing shelf



MSDIV
Dividers for
slotted filing shelf



RCPCR9
Pull out vertical
filing cradle with
cross bar



RCLCR9
Adjustable lateral
filing cradle

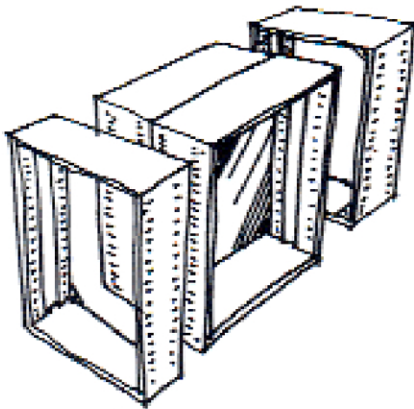


SCLIPS
Clips

Product Cleaning

To care for your Triumph unit we recommend it is wiped over with a damp cloth or duster.
Do not use any abrasive or solvent based cleaner that may permanently damage the paint finish.

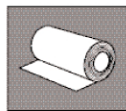
Metrix Racking (Sample Configurations)



Environment : Product Lifecycle



Raw
materials



Production



Transport



Use



End of life

Metrix Racking is Certified to the following British Standards

BS 1449 Part 1 : 1983

Steel. A certificate of conformity is provided by the supplier for each delivery of Steel received.

BS 4875-8 : 1998

For furniture strength and stability of furniture, methods for determination of stability of non-domestic storage.

BS EN 14073-2 : 2004

For office furniture - storage furniture : safety requirements.

BS EN 14073-3 : 2004

For office furniture - storage furniture : test methods for the determination of stability and strength of structure.

BS EN 14074 : 2004

For office furniture, tables, desks and storage furniture : test methods for the determination of strength and durability of moving parts.

BS 4438 : 1969

For filing cabinets and suspended filing pockets.

BS 4875-7 Level 4 : 2006

For strength and stability of furniture, domestic and contract storage furniture - performance requirements.

