

Metrix Desking and Benching Product Specification



Key Features

12 year guarantee

Choice of desktop finishes
 Standard frame finish : Silver SG8
 Optional frame finish : any other Triumph colour
 extra 10% surcharge
 Clean lines, ideal for any modern installation
 Quick and simple to install
 Desktops carry threaded inserts for fixings
 Worksurface : 775mm deep
 For single desks with no screen, specify 800mm
 deep worksurface when ordering
 Worktop sourced from sustainable resources and
 is FSC accredited TT-COC-001930

Optional extras

Height settable
 Height adjustable
 Screens available
 Desks accessories available
 Cable tray

Specification

Legs

Height levelling feet

Worksurfaces

25mm MFC desktop
 High impact edging

Cable Management

Steel metal tray

Finishes

Standard Tops



Maple /M



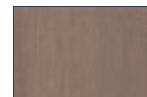
Beech /B



Oak /O



Cherry /CH



Walnut /WA



Lugano Oak /LO



White /W



Grey /G

triumph

corporate furniture and storage

How to link **Metrix** Desking



1. Remove leg highlighted in blue



2. Add a double linked desk with inset leg



3. Re-attach original leg frame to the other end

Metrix Desking and Benching Straight



Code	h	w	d
Freestanding Desks (starter units)			
MB/88	720	800	800
MB/18	720	1000	800
MB/128	720	1200	800
MB/148	720	1400	800
MB/168	720	1600	800
MB/188	720	1800	800
Linked Desks (add on units)			
MBL/128	720	1200	800
MBL/148	720	1400	800
MBL/168	720	1600	800
MBL/188	720	1800	800

Metrix Desking and Benching Straight Double Sided



Code	h	w	d
Freestanding Desks (starter units)			
MB/128/2S	720	1200	1600
MB/148/2S	720	1400	1600
MB/168/2S	720	1600	1600
MB/188/2S	720	1800	1600
Linked Desks (add on units)			
MBL/128/2S	720	1200	1600
MBL/148/2S	720	1400	1600
MBL/168/2S	720	1600	1600
MBL/188/2S	720	1800	1600

Metrix Desking and Benching Double Wave



Code	h	w	d
Freestanding Desks (starter units)			
MBDW/1288	720	1200	800/800
MBDW/1488	720	1400	800/800
MBDW/1688	720	1600	800/800
MBDW/1888	720	1800	800/800
Linked Desks (add on units)			
MBDWL/1288	720	1200	800/800
MBDWL/1488	720	1400	800/800
MBDWL/1688	720	1600	800/800
MBDWL/1888	720	1800	800/800

Metrix Desking and Benching Double Wave Double Sided



Code	h	w	d
Freestanding Desks (starter units)			
MBDW/1488/2S	720	1400	1600/1600
MBDW/1688/2S	720	1600	1600/1600
MBDW/1888/2S	720	1800	1600/1600
Linked Desks (add on units)			
MBDWL/1488/2S	720	1400	1600/1600
MBDWL/1688/2S	720	1600	1600/1600
MBDWL/1888/2S	720	1800	1600/1600

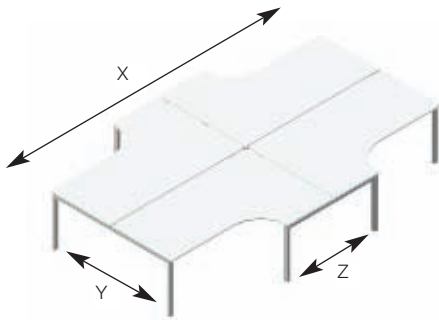
Metrix Desking and Benching Crescent



Code	h	w	d
MBC/141286	720	1400/1200	800/600
MBC/141288	720	1400/1200	800/800
MBC/161286	720	1600/1200	800/600
MBC/161288	720	1600/1200	800/800
MBC/181286	720	1800/1200	800/600
MBC/181288	720	1800/1200	800/800

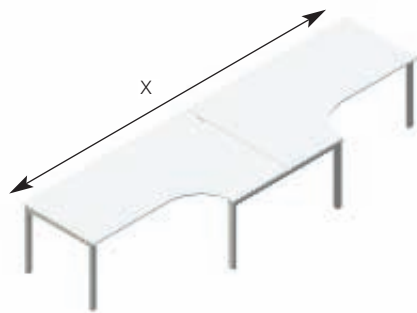
Please specify left or right hand when ordering

Metrix Desking and Benching Crescent Cluster - 4 Person



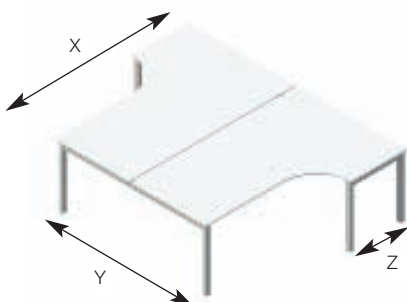
Code	X	Y	Z
MBC/141286/4S	2800	1600	1200
MBC/161286/4S	3200	1600	1200
MBC/181286/4S	3600	1600	1200

Metrix Desking and Benching Crescent Cluster - Side to Side



Code	X	Y	Z
MBC/141286/2SS	2800	800	1200
MBC/161286/2SS	3200	800	1200
MBC/181286/2SS	3600	800	1200

Metrix Desking and Benching Crescent Cluster - Back to Back



Code	X	Y	Z
MBC/141286/2S	1400	1600	600
MBC/161286/2S	1600	1600	600
MBC/181286/2S	1800	1600	600

Metrix Desking and Benching 120 Degree



Code	h	w	d
MBA/121288	720	1200/1200	800/800
MBA/121266	720	1200/1200	600/600

Metrix Desking and Benching Workstation - 3 Person



Code	h	w	d
MBA/121288/3S	720	1200/1200	800/800
MBA/121266/3S	720	1200/1200	600/600

Screens



Plain top cap



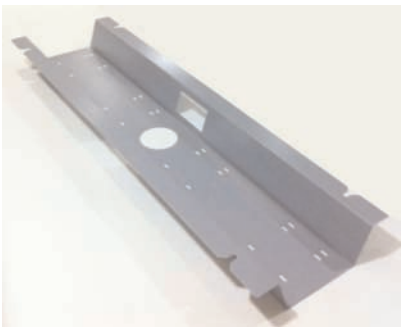
Plain tool rail



3 bar tool rail

Straight or wave options
Mounting bracket included
Choice of fabric colour options
Floor standing available

Cable Management : Horizontal



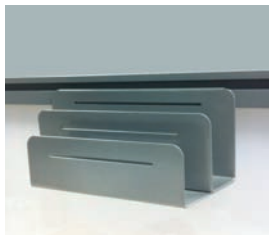
Please specify
SCT - single sided workstations
CCT - back to back workstations

Code	w
MB/600/SCT	600 for use on 800 workstation
MB/800/SCT	800 for use on 1000 workstation
MB/1000/SCT	1000 for use on 1200 workstation
MB/1200/SCT	1200 for use on 1400 workstation
MB/1400/SCT	1400 for use on 1600 workstation
MB/1600/SCT	1600 for use on 1800 workstation
MB/600/CCT	600 for use on 800 workstation
MB/800/CCT	800 for use on 1000 workstation
MB/1000/CCT	1000 for use on 1200 workstation
MB/1200/CCT	1200 for use on 1400 workstation
MB/1400/CCT	1400 for use on 1600 workstation
MB/1600/CCT	1600 for use on 1800 workstation

Accessories



Pen Pot



Paper sorter



Letter tray



Hotbox



Waste paper bin

Metrix Desking and Benching is Certified to the following British Standards

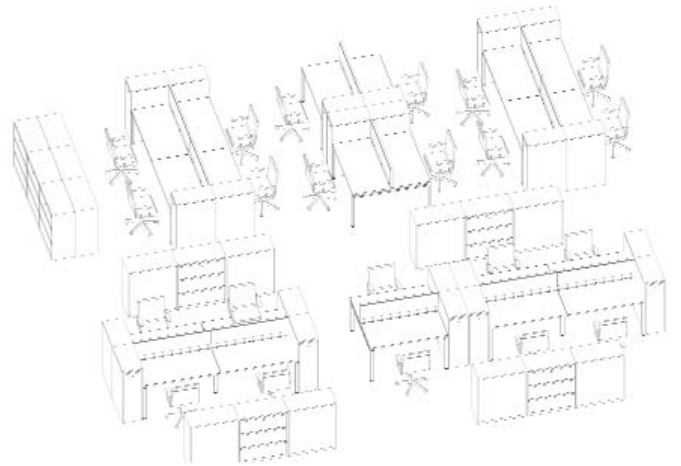
FSC	Triumph has FSC Chain of Custody Accreditation. Certificate No TT-COC-001930
BS EN 527-2: 2002	Office furniture - worktables and desks - Part 2 mechanical safety requirements.
BS EN 527-3 : 2003	Office furniture - worktables and desks Part 3 methods of test for the determination of the stability and the mechanical strength of the structure.
BS 6396 : 2008	Electrical requirements of office furniture.
BS EN ISO 9241 : 1999	Ergonomic requirement for office work with visual display terminals Part 5 Workstation layout and postural equipments.
BS 6396 : 2008	Electrical systems in office furniture and educational furniture.



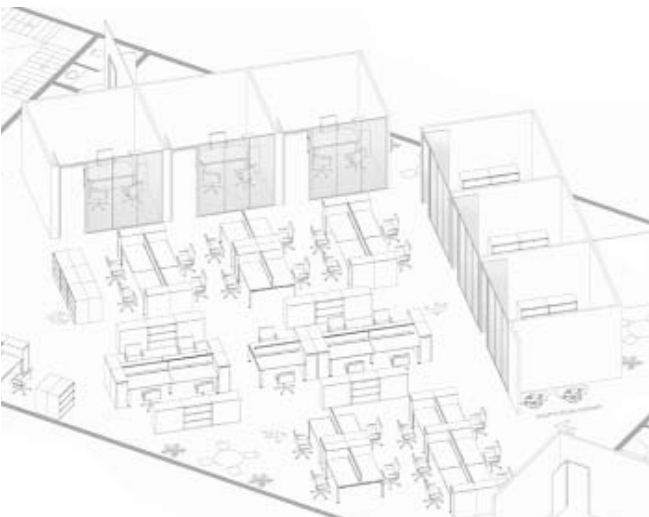
Creating Workplace Environments



Workplace Layouts : example plan



Workstation : example groupings



Workstation : example groupings



Workplace Layouts : example plan

Environment : Product Lifecycle

